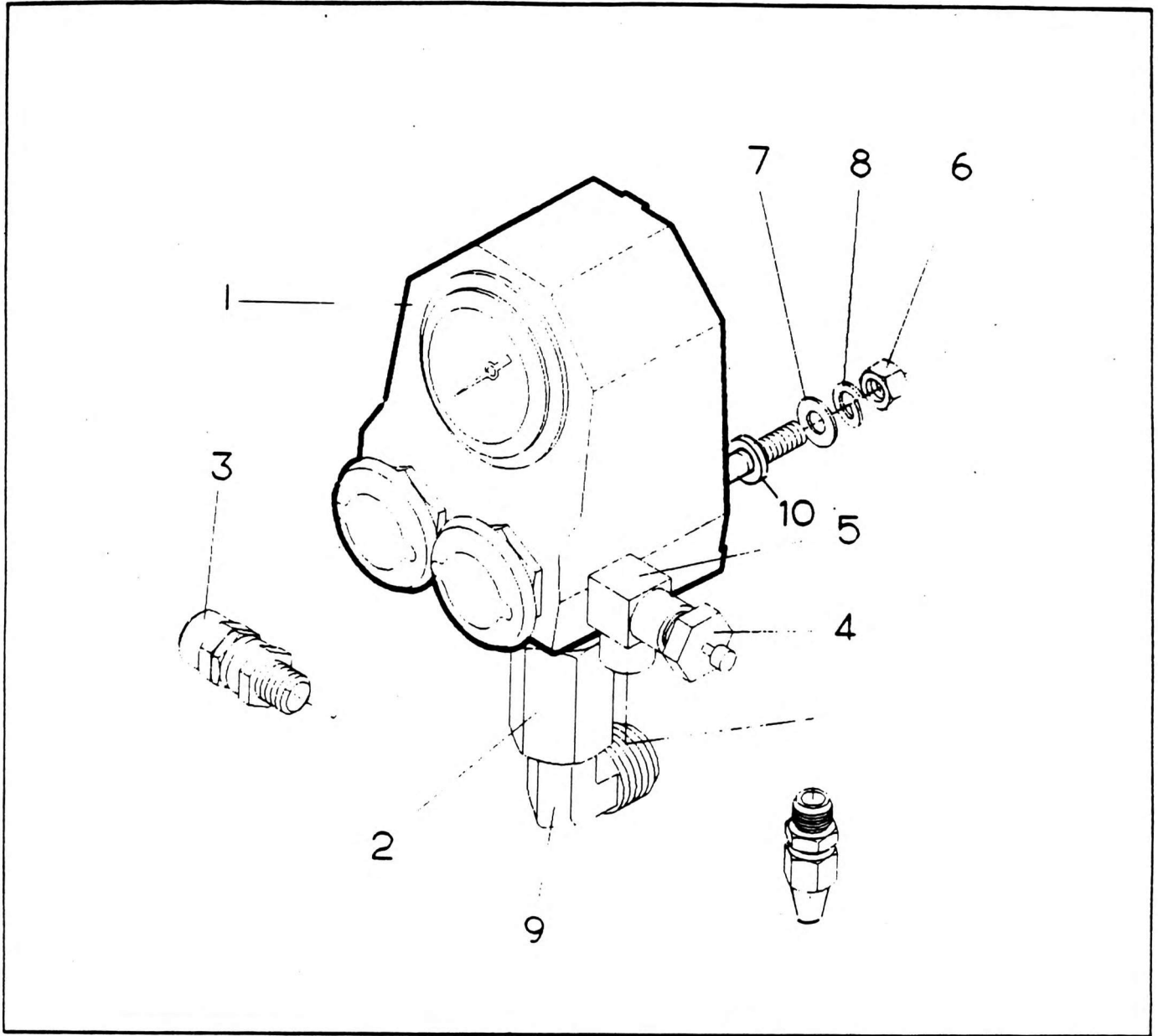


VALVE SUB ASSEMBLY TYRE INFLATOR



NO.	PART NO.	QTY.	DESCRIPTION	NO.	PART NO.	QTY.	DESCRIPTION
1 +	8938629	1	Tyre Inflator Valve				
2	8304310	1	Tee Piece				
3	8352964	1	Safety Valve				
4	116685	1	Adaptor				
5	13025	1	Tubing Tee Piece				
6	7064101	2	Nut Hexagonal $\frac{1}{2}$ " UNF				
7	7066516	2	Washer Plain $\frac{1}{2}$ "				
8	7067206	2	Washer Spring $\frac{1}{2}$ "				
9	7-446-100855	1	90° Elbow				
10	8363377	2	Spacer				

+ See further breakdown in this group